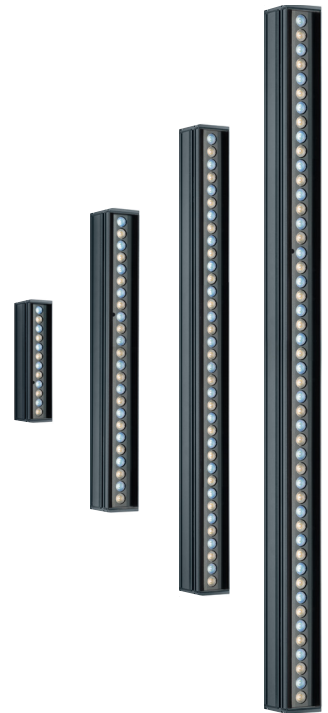


DESCRIPTION

PARADE L linear luminaires are available in one-foot increments up to four feet overall length. Each model features premium quality high brightness LEDs and a comprehensive selection of ten light distributions. Adjustable brackets are available in three standard lengths. Standard built-in programming capabilities include economical stand-alone operation or master-satellite configurations without the use of external control systems, or operation by remote DMX512 control systems. Four standard finishes are available with options for marine-grade or custom RAL finishes on request. All hardware is stainless steel.



IP67/ IK10 /  / 

Date: _____ Type: _____ Catalog Number: _____

Project Name: _____

ORDERING INFORMATION

| LUMINAIRE | | | | | | | | |
|--|--------------------------------------|----------------------|--|-----------------|------------------|--|--------------------------|----------------------------------|
| MODEL | CCT | CONTROL [†] | CABLE | VOLTAGE | OPTIC | | FINISH | OPTION |
| PDL1 Parade L1 - 1' Length | DW Dynamic White (2700K to 6500K) | DMX-RDM DMX-RDM | M Monocable only (19.7") | UNV 120-277v | SP Spot 8° | EW Extra Wide 58° | AG Anthracite Grey | AST Anti-Saline Treatment |
| PDL2 Parade L2 - 2' Length | | | | | NB Narrow 12° | ELH Elliptical Horizontal 42° x 11° | BL Black | LVR Internal Honeycomb Louver |
| PDL3 Parade L3 - 3' Length | | | C Monocable with connectors (19.7") | | MB Medium 26° | ELWH Elliptical Wide Horizontal 40° x 24° | SG Griven Silver Grey | |
| PDL4 Parade L4 - 4' Length | | | | | WB Wide 40° | WW Wall Wash 36° x 15° (5° incline) | WH White | |
| PDL1PE Parade L1 Polar Edition - 1' Length | | | | | | | CC Custom RAL Color | |
| PDL2PE Parade L2 Polar Edition - 2' Length | | | | | | | | |
| PDL3PE Parade L3 Polar Edition - 3' Length | | | | | | | | |
| PDL4PE Parade L4 Polar Edition - 4' Length | | | | | | | | |

[†] Consult factory for availability of per-foot resolution. Consult factory for availability of additional optical options.

| MOUNTING (Required- Specify Finish Where Applicable) | | *XX- MOUNTING FINISHES | | WIRING ACCESSORIES |
|--|---------------------|------------------------|--------------------|--|
| AL5055 | (2) 3" Bracket | AG | Anthracite Grey | See separate Wiring and Accessory Application Sheet. |
| AL5056 | (2) 6" Bracket | BL | Black | |
| AL5057 | (2) 10" Bracket | SG | Griven Silver Grey | |
| WB-06-PDL1/L2-XX* | (1) 6" Wall Bracket | WH | White | |
| WB-06-PDL3/L4-XX* | (2) 6" Wall Bracket | CC | Custom RAL Color | |

| | | PARADE L1 | PARADE L2 | PARADE L3 | PARADE L4 |
|----------|--------------|-----------------------|-------------------|-------------------|-------------------|
| PHYSICAL | HOUSING | Extruded aluminum | | | |
| | HOUSING SIZE | 12-5/8" x 2-3/4" x 3" | 24" x 2-3/4" x 3" | 36" x 2-3/4" x 3" | 48" x 2-3/4" x 3" |
| | YOKE | Fabricated aluminum | | | |
| | WEIGHT | 4 lbs | 6.2 lbs | 9 lbs | 11.7 lbs |

| | | | | | |
|-------------|----------------------------|---|----|----|----|
| PHOTOMETRIC | LED | Dynamic White (2700K to 6500K) | | | |
| | # LEDS | 6 | 12 | 18 | 24 |
| | L70 LUMEN MAINTENANCE | 100,000 Hours @ 25°C* | | | |
| | # DISTRIBUTIONS | Eight | | | |
| | VERTICAL AIMING CAPABILITY | +/- 90° | | | |
| | LIGHT CONTROL ACCESSORIES | Visor, Snoot; Consult factory for optional spreading diffusers. | | | |

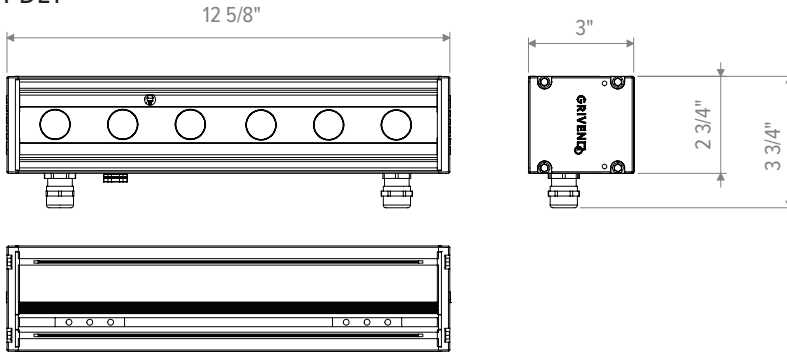
| | | | | | |
|------------|-----------------------|---|----------------------------------|----------------------------------|----------------------------------|
| ELECTRICAL | POWER CONSUMPTION | 20 watts max | 38 watts max | 59 watts max | 79 watts max |
| | AMPERAGE | 0.15A @ 120VAC 0.08A @ 277VAC | 0.32A @ 120VAC 0.15A @ 277VAC | 0.50A @ 120VAC 0.22A @ 277VAC | 0.67A @ 120VAC 0.29A @ 277VAC |
| | CONTROL PROTOCOLS * | DMX/RDM Self-Addressing Standalone Master-Satellite DMX/RDM Addressable per foot (Contact Factory) * See separate DMX Mode Application Sheet | | | |
| | OPERATING TEMPERATURE | -40°C to 50°C (-40°F to 122°F) | | | |

| | | | | | |
|----------------|--------------------|------------------------------|--|--|--|
| CERTIFICATIONS | SAFETY | ETL Listed for Wet Locations | | | |
| | INGRESS PROTECTION | IP67 | | | |
| | IMPACT RATING | IK10 | | | |
| | EUROPEAN | RoHS | | | |

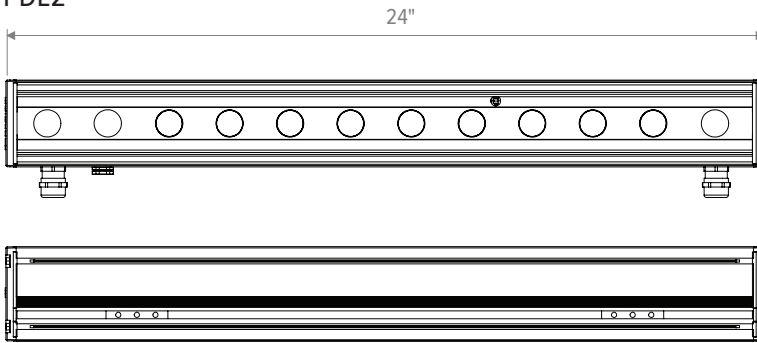
| | | | | | |
|-------------|---------------------------|---|---|---|---|
| ACCESSORIES | VISOR | x | x | x | x |
| | SNOOT | x | x | x | x |
| | INTERNAL HONEYCOMB LOUVER | x | x | x | x |
| | 3" BRACKETS | x | x | x | x |
| | 6" BRACKETS | x | x | x | x |
| | 10" BRACKETS | x | x | x | x |
| | INFRARED REMOTE CONTROL | x | x | x | x |

DIMENSIONS All dimensions are shown in inches unless otherwise noted.

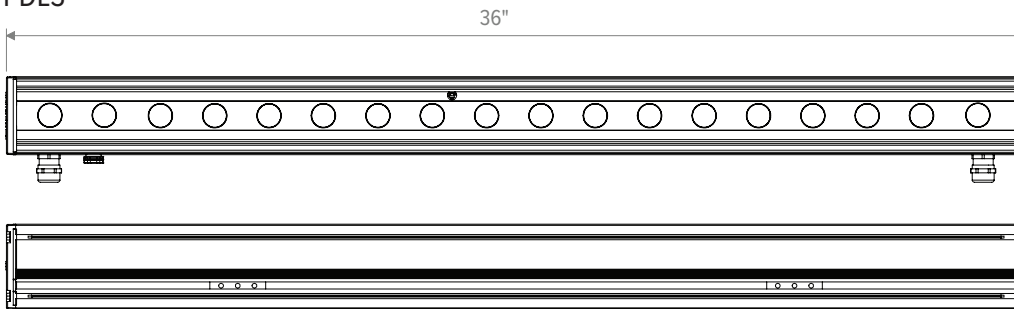
PDL1



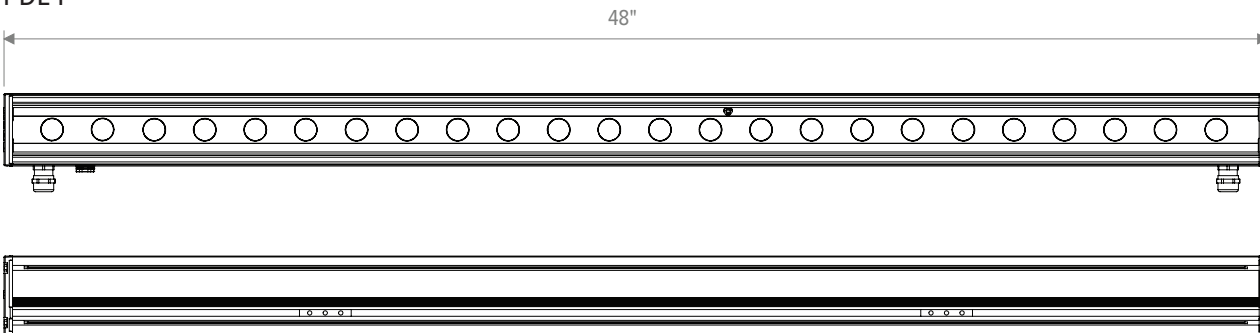
PDL2



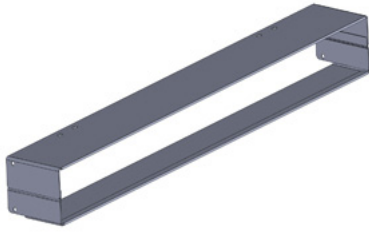
PDL3



PDL4

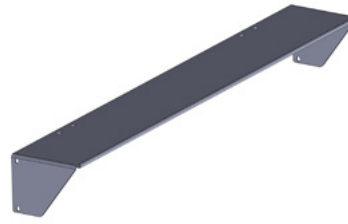


ACCESSORIES



Snoot (Specify Finish)

- AL5103-XX* *Snoot for Parade PDL1*
- AL5104-XX* *Snoot for Parade PDL2*
- AL5105-XX* *Snoot for Parade PDL3*
- AL5106-XX* *Snoot for Parade PDL4*



Visor (Specify Finish)

- AL5096-XX* *Visor for Parade PDL1*
- AL5097-XX* *Visor for Parade PDL2*
- AL5098-XX* *Visor for Parade PDL3*
- AL5099-XX* *Visor for Parade PDL4*

***XX- ACCESSORY FINISHES**

- AG Anthracite Grey
- BL Black
- SG Griven Silver Grey
- WH White
- CC Custom RAL Color

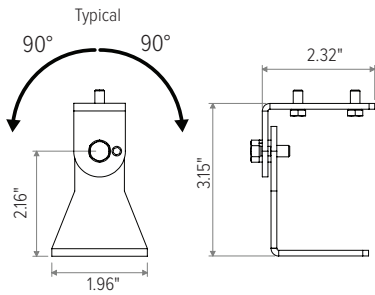


Infrared Remote Control (Note: Unless an RDM compatible control is used, an Infrared Remote Control (AL1321) must be purchased in order to access DMX addressing.)

AL1321

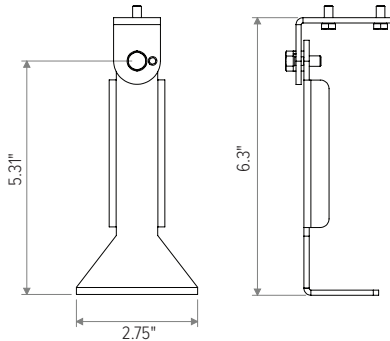
LUMINAIRE BRACKET OPTIONS (sold separately)

All dimensions are shown in inches unless otherwise noted.



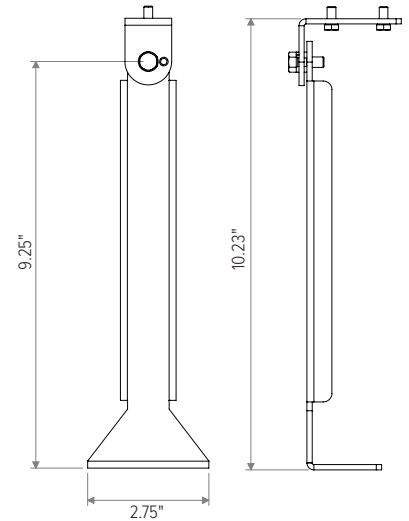
AL5055

3.15" Bracket



AL5056

6.3" Bracket

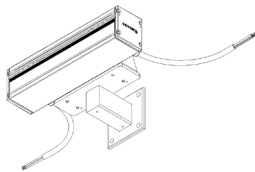


AL5057

10.23" Bracket

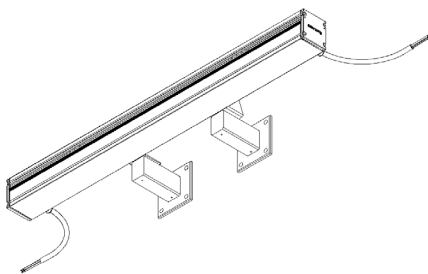
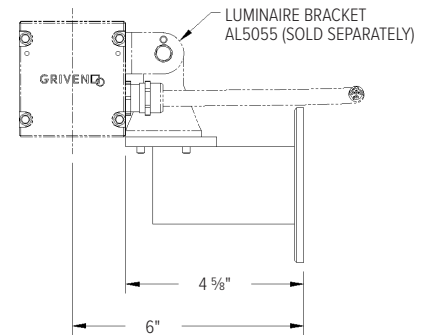
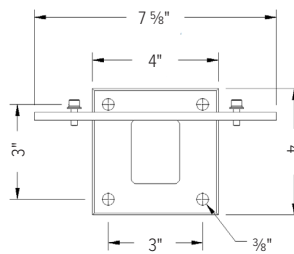
WALL BRACKET OPTIONS (sold separately)

The Griven Parade L Wall Bracket can be used with the Griven Parade L product family. The Wall Bracket will position the center of the Parade L optics at a distance of six inches from the wall.



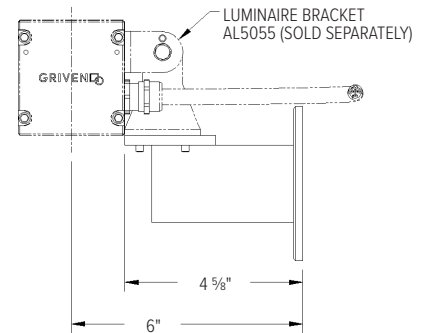
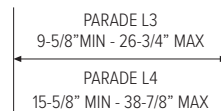
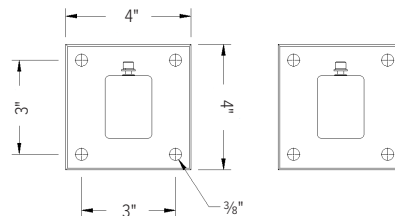
WB-06-PDL1/L2-XX* (*Specify finish)

(1) 6" Wall Bracket



WB-06-PDL3/L4-XX* (*Specify finish)

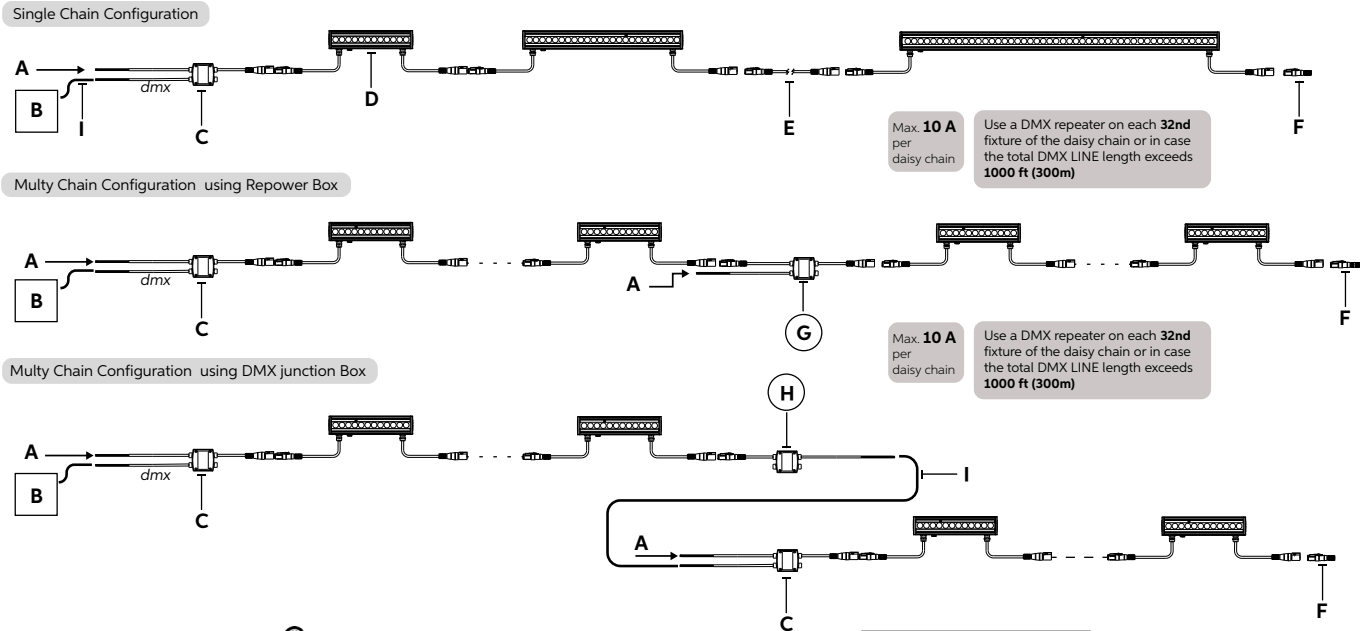
(2) 6" Wall Bracket



CONTROL OPTIONS (DMX512, PRIMARY CONTROL PLATFORM)

Contact manufacturer for control system development.

Copyright © 2020, GRIVEN S.r.l World Lighting Challenge - www.griven.com



- A - Power Input CE ver. 220-240 Vac - ver. 120 & 277 Vac
- B - DMX/RDM Controller
- C - Start Line Box - AL5058C with connectors / AL5058M without connectors
- D - Parade L-1, L-2, L-3, L-4, L-2 Recessed, L-3 Recessed
- E - Connection Cable - AL8264 L=1m AL8265 L=2m AL8266 L=3m AL8267 L=5m AL8268 L=10m
- F - DMX Terminator - AL5169
- G - Repower Box - AL5167C with connectos / AL5167M without connectors
- H - DMX Junction Box - AL5059C with connectors / AL5059M without connectors
- I - DMX Cable - AL0512

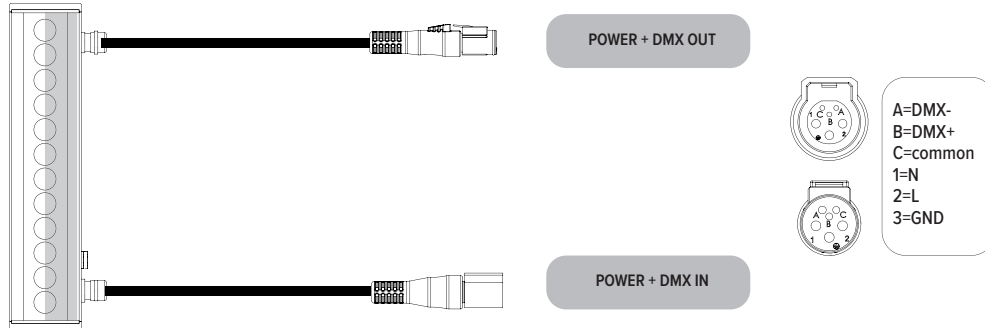
| CE Colours | USE |
|--------------|------------|
| Brown | Live |
| Blue | Neutral |
| Yellow/Green | Ground |
| Red | DMX Data + |
| Black | DMX Data - |
| White | DMX GND |

NOTES:

1. Wire specifications are available from factory as well as approved wire for purchase.
2. Other control protocol solutions available. Contact factory for more information.
3. Wireless components are external to fixture. Distance limitations based on antennas chosen and site conditions. Contact factory for more information.
4. Based on maximum of 32 fixtures per run as well as any site constraints on conveyance of data.
5. For example: Lutron, Crestron, Encelium, Douglas, ETC by others. Griven control system will interface with building lighting control system.
6. Local wall controller for small applications. Wall controllers specified separately for larger systems.
7. Contact factory for assistance with specification. Onsite commissioning by Griven of control system is required.

CONNECTIONS

“C” Type cable (Monocable + connectors)



“M” Type cable (Monocable without connectors - RDM version)

